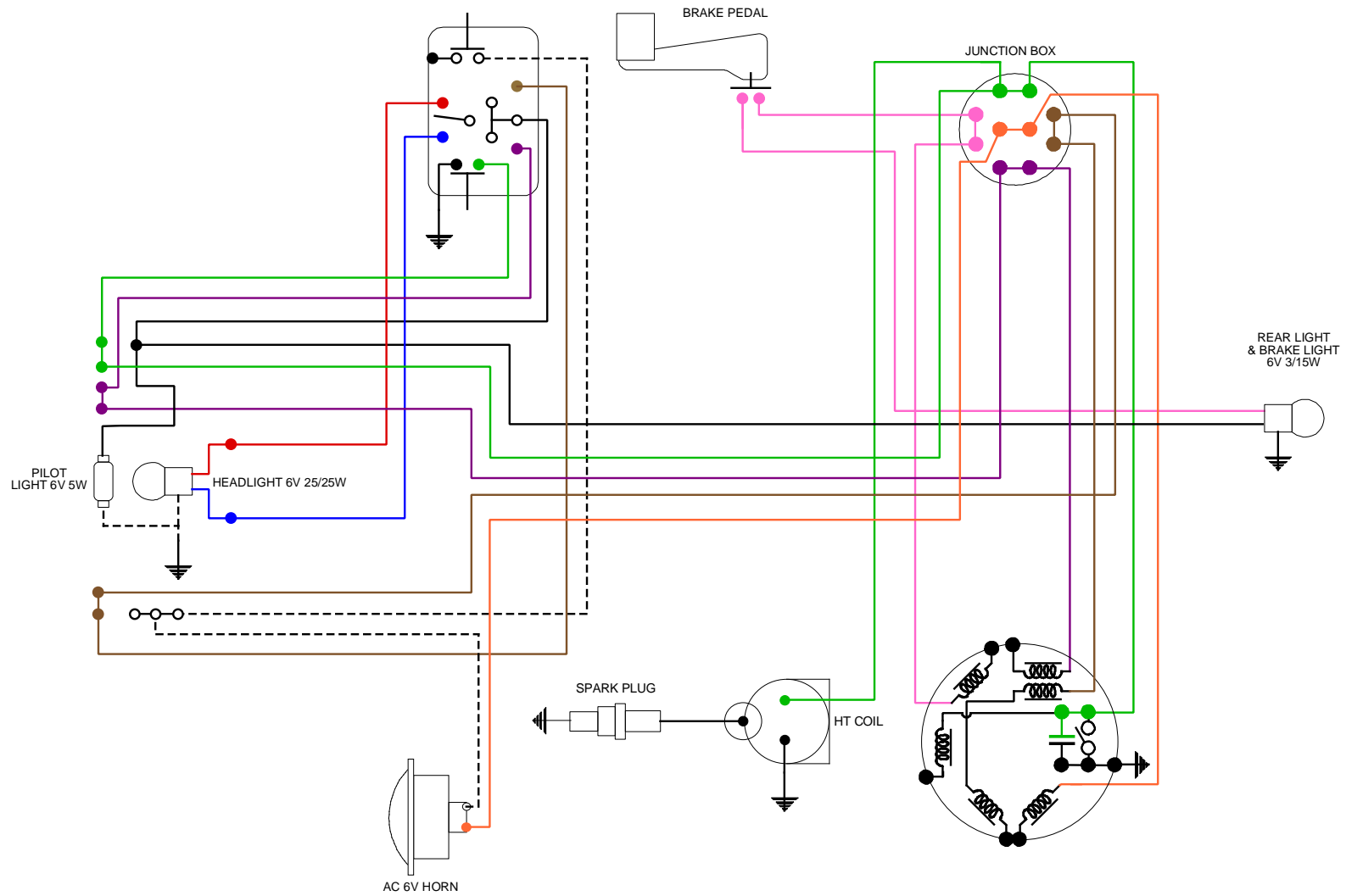


scooterhelp.com

LAMBRETTA Cento 100, J125, & J125 Starstream without battery

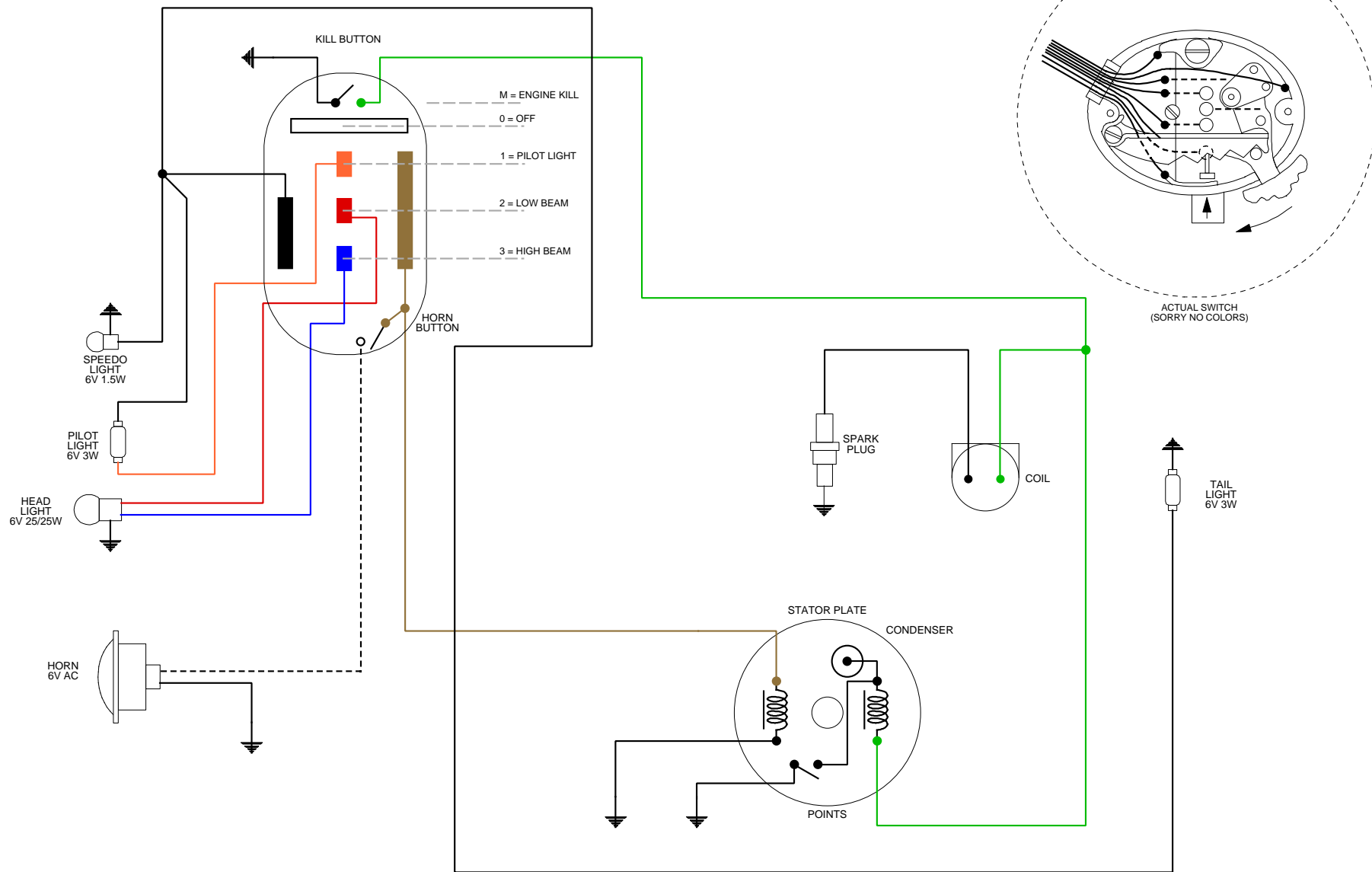
----- (WHITE)



scooterhelp.com

LAMBRETTA Vega 75 S & Cometa 75 SL (Lui)
without battery

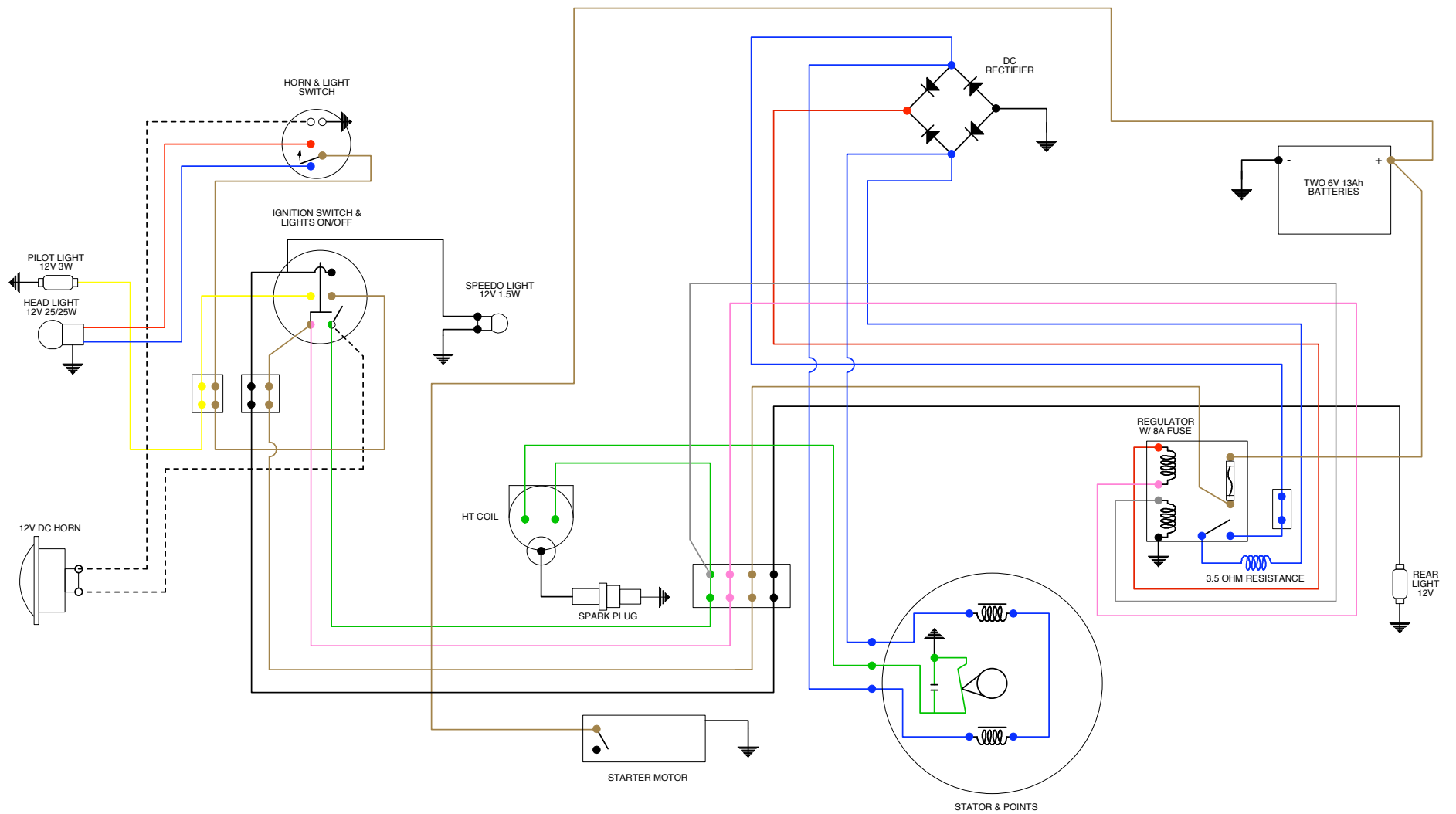
----- (WHITE)



scooterhelp.com

LAMBRETTA LD 125 Series I, II & III
LD150 Series I, II, III

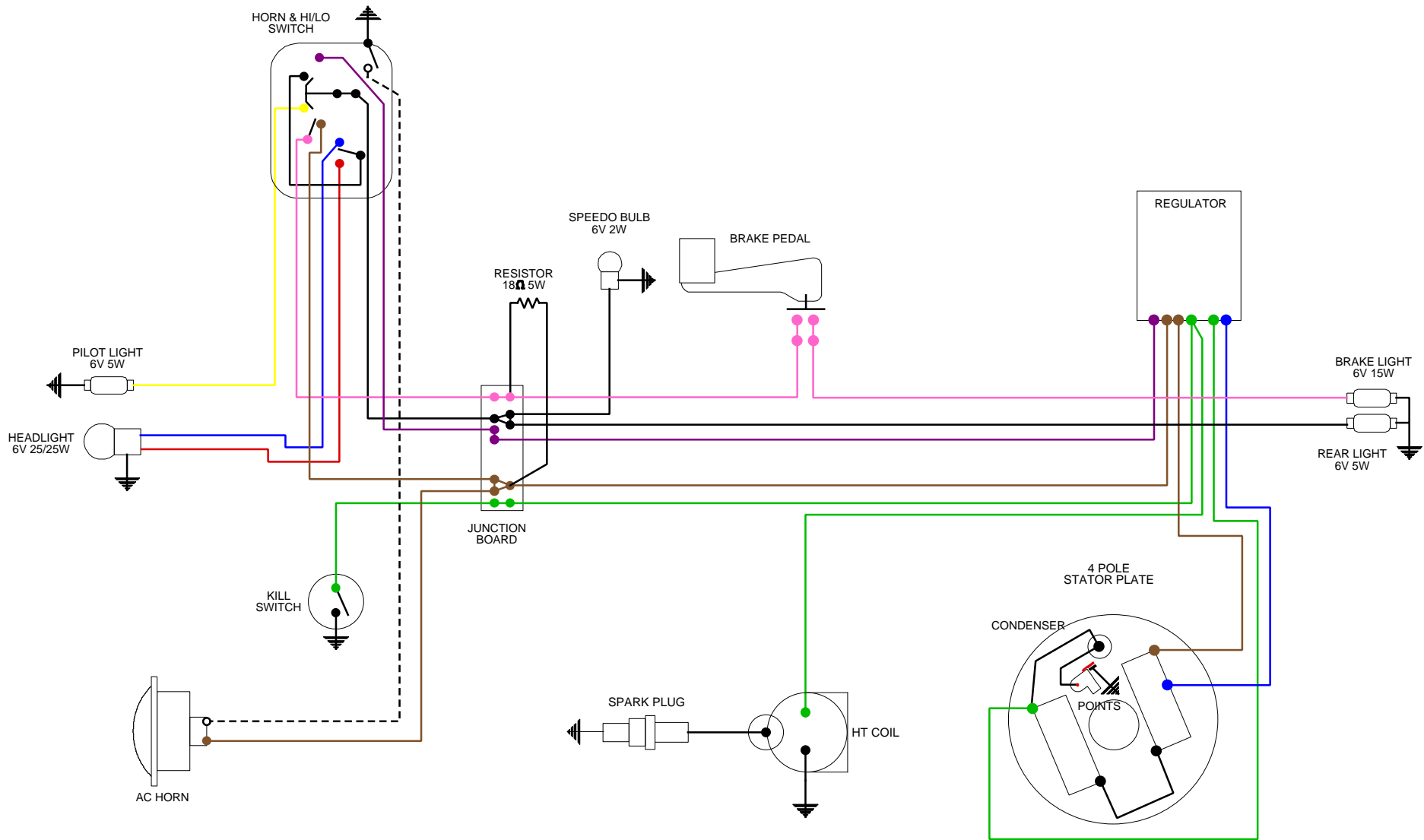
----- (WHITE)



scooterhelp.com

LAMBRETTA 150 LDA Mk 1-3 electric start

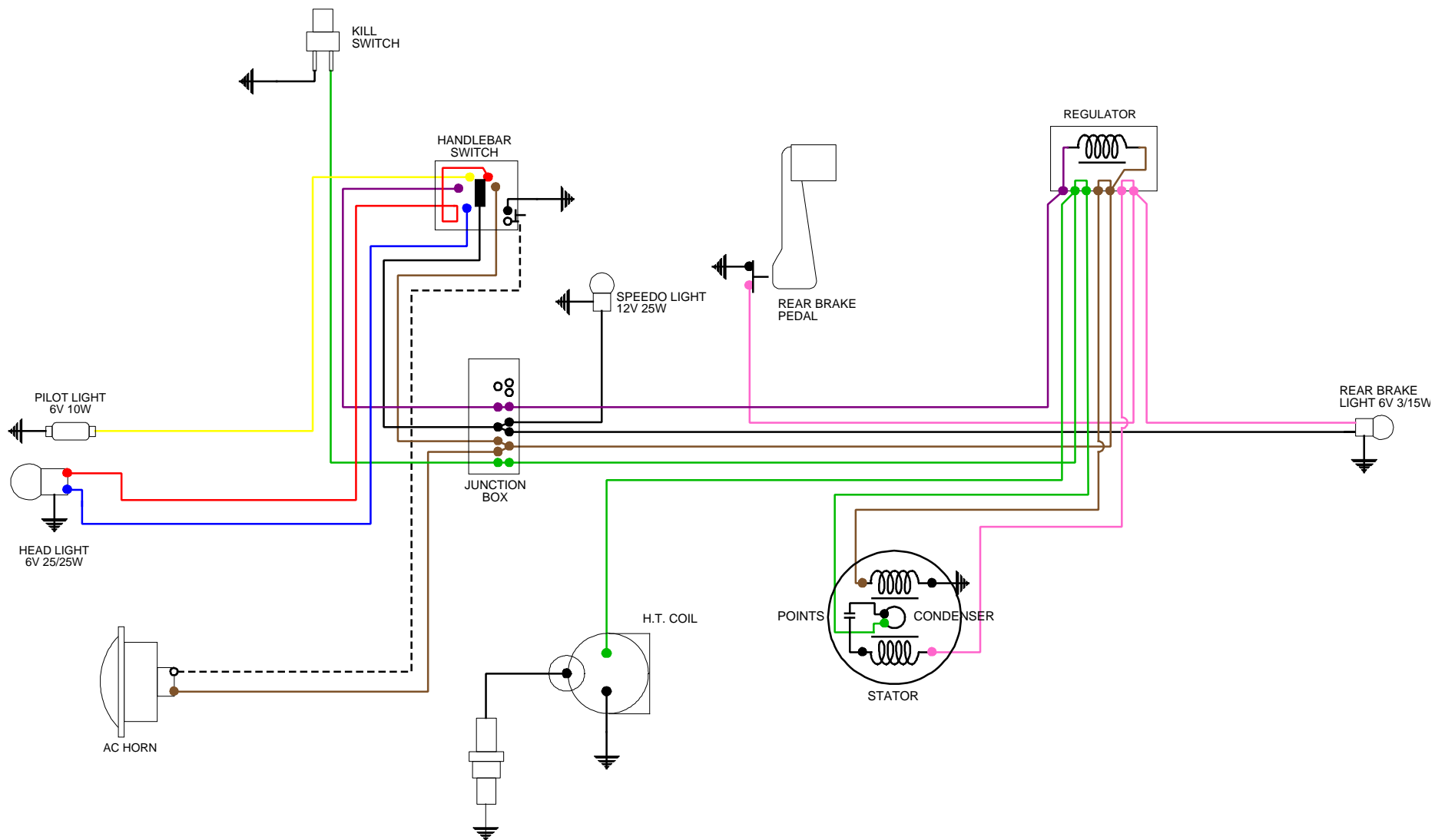
----- (WHITE)



scooterhelp.com

LAMBRETTA Li125 & Li150 Series 1 with 4 pole stator plate without battery

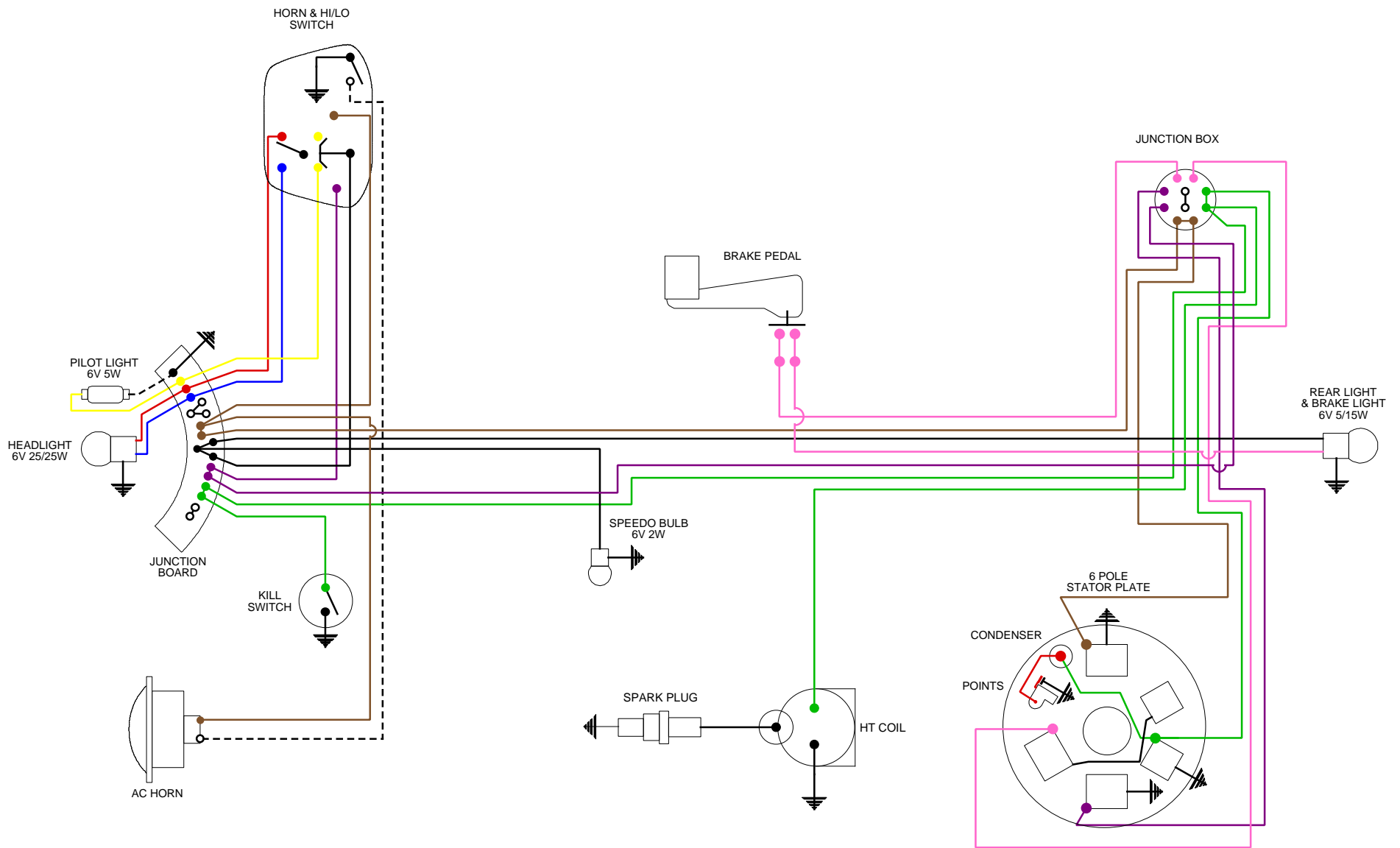
----- (WHITE)



scooterhelp.com

LAMBRETTA Li125 & Li150 Series 2 with 4 pole stator plate without battery

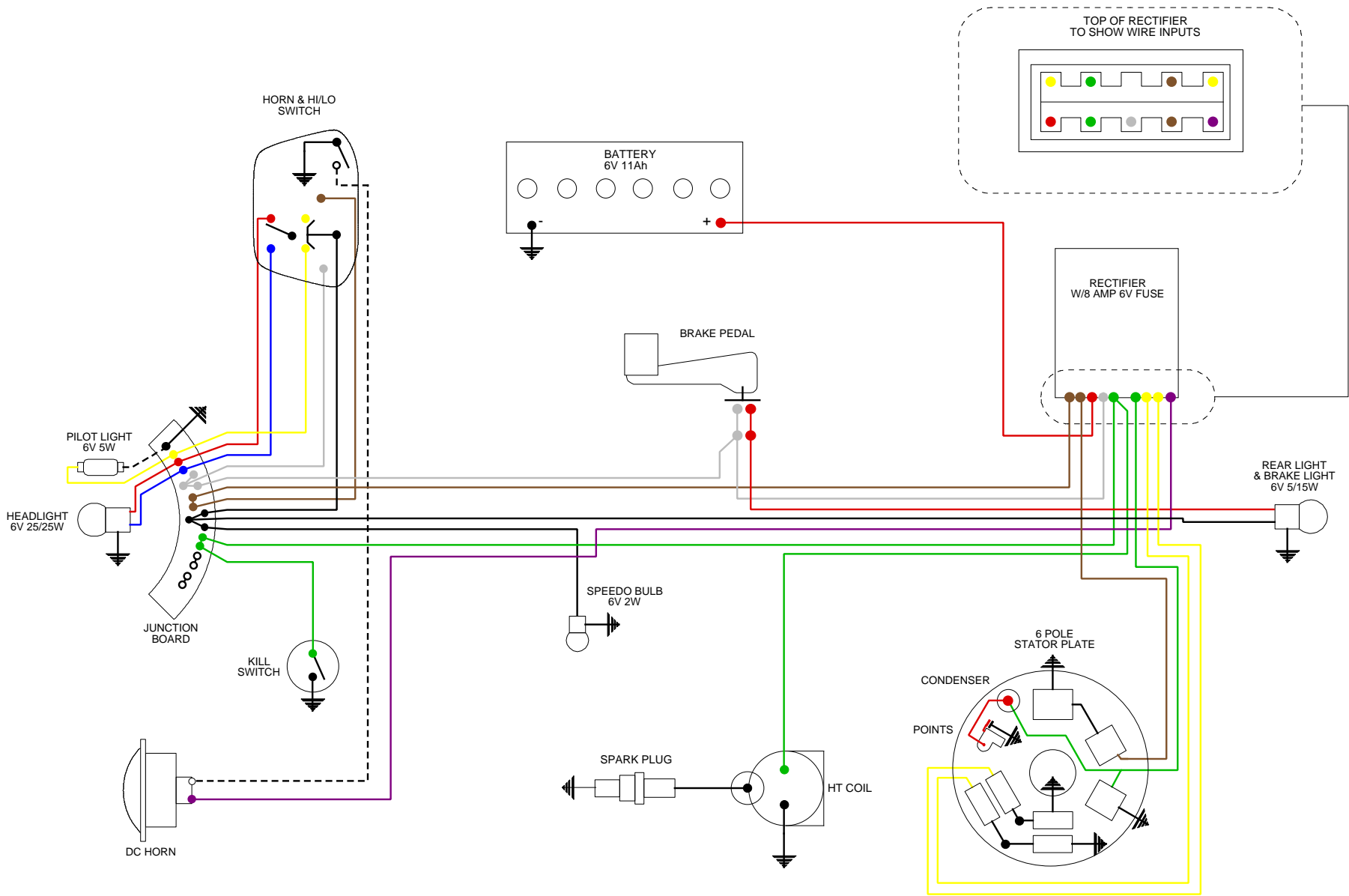
----- (WHITE)



scooterhelp.com

LAMBRETTA Li125 & Li150 Series 3 with 6 pole stator plate without battery

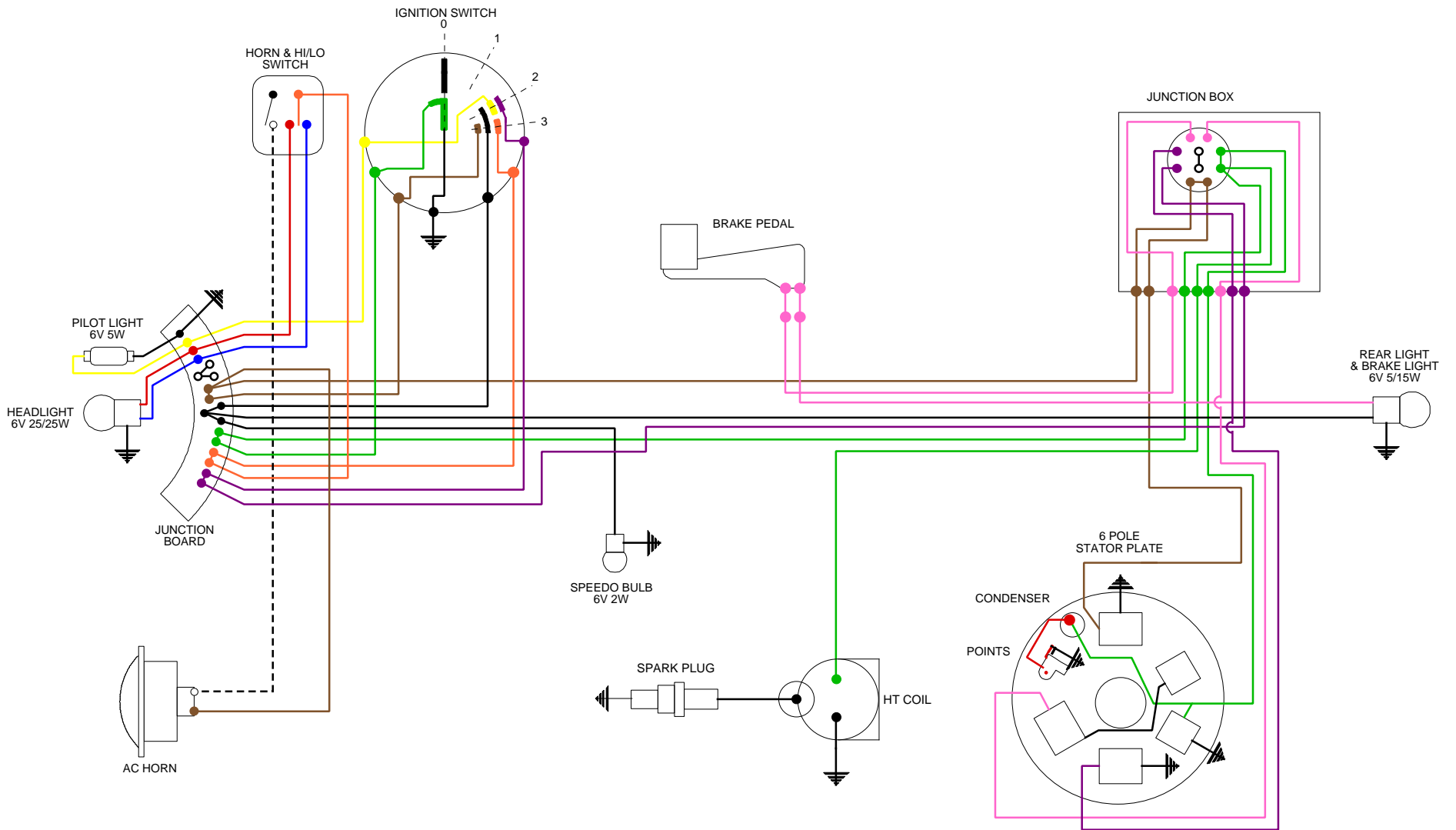
----- (WHITE)



scooterhelp.com

LAMBRETTA Li125 & Li150 Series 3 with 6 pole stator plate & battery

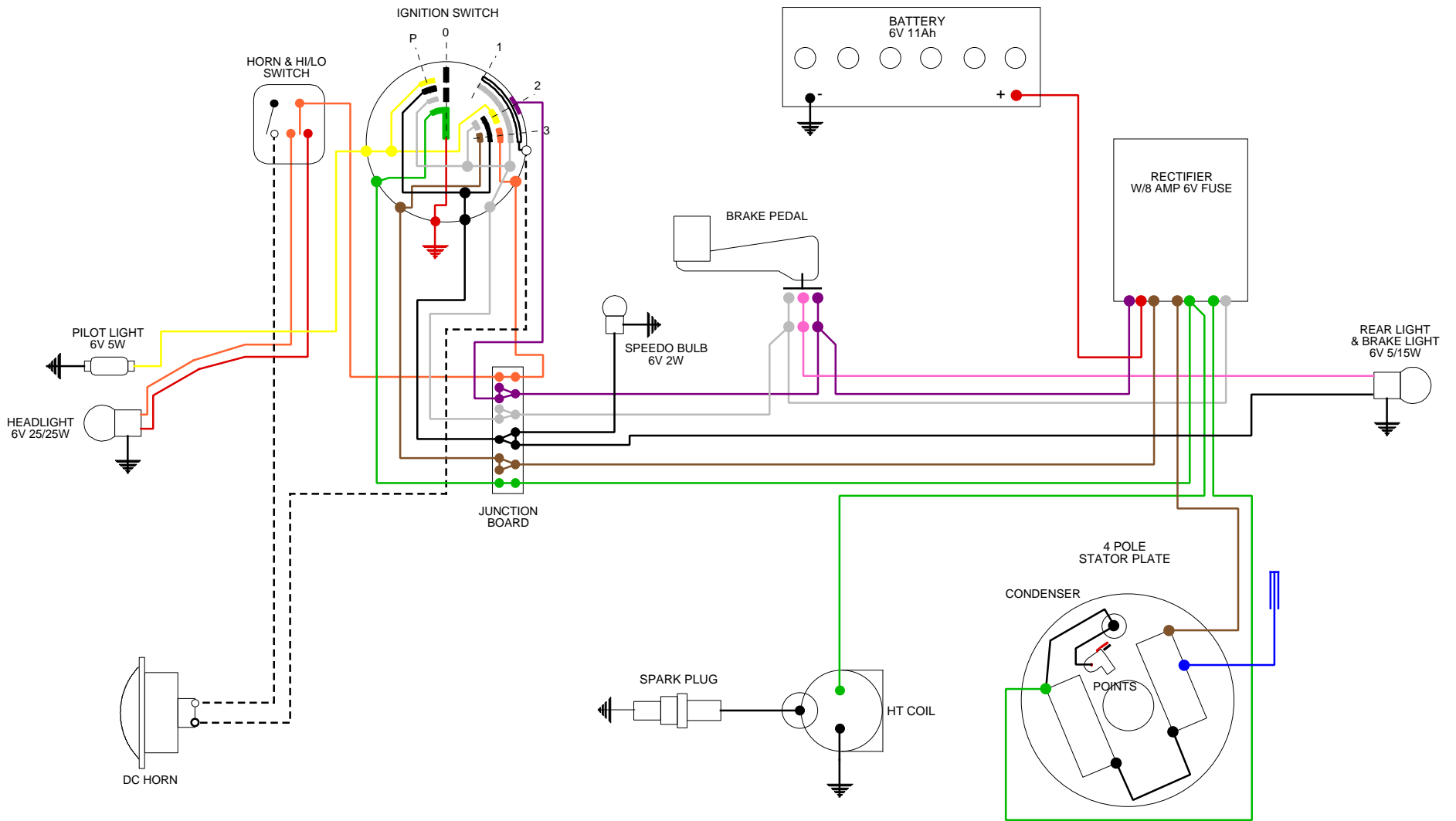
----- (WHITE)



scooterhelp.com

LAMBRETTA Li150S - SX150 - GP125
without battery

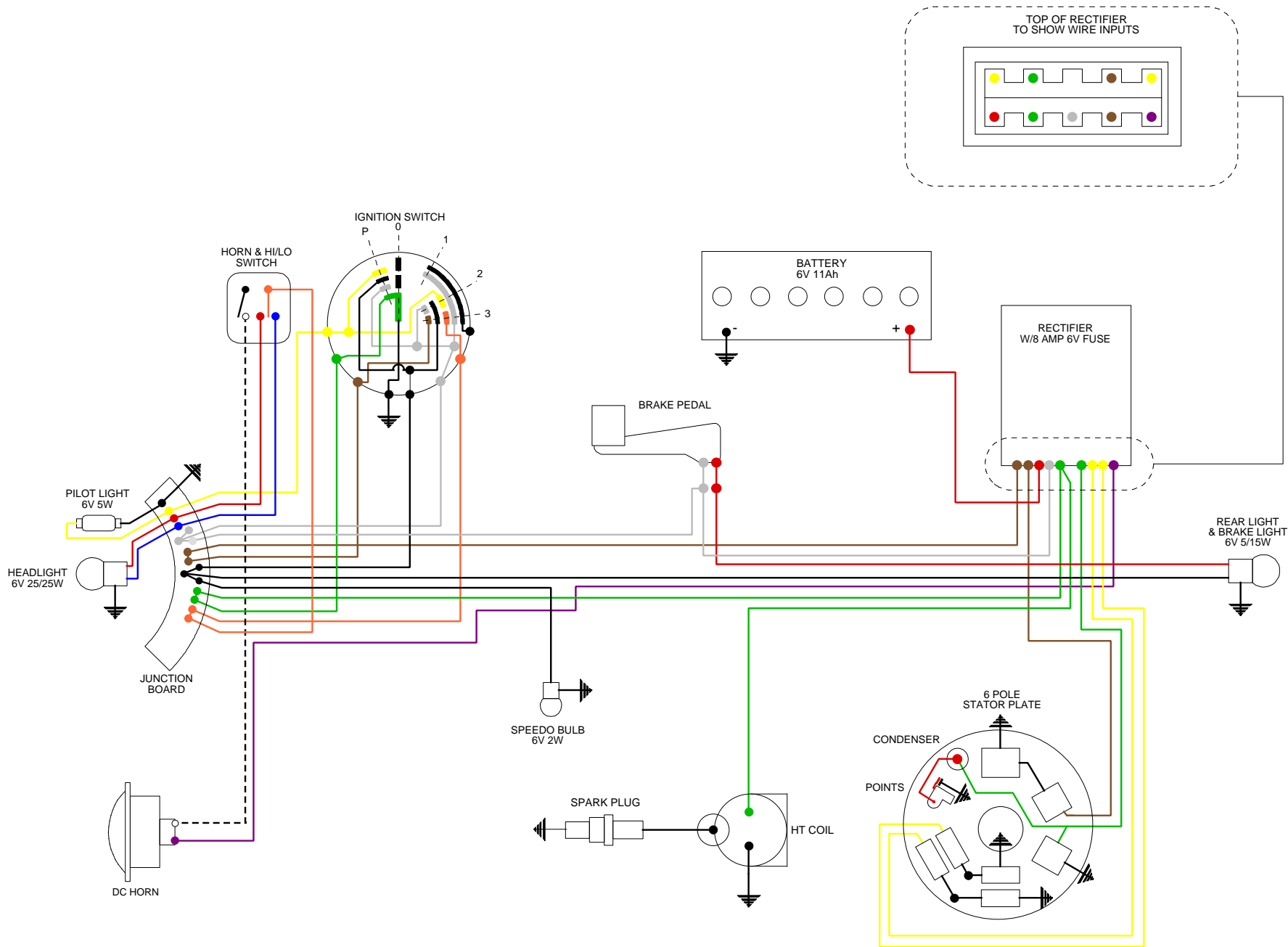
----- (WHITE)



scooterhelp.com

LAMBRETTA TV175 Series 2 and 3 with 4 pole stator plate & battery

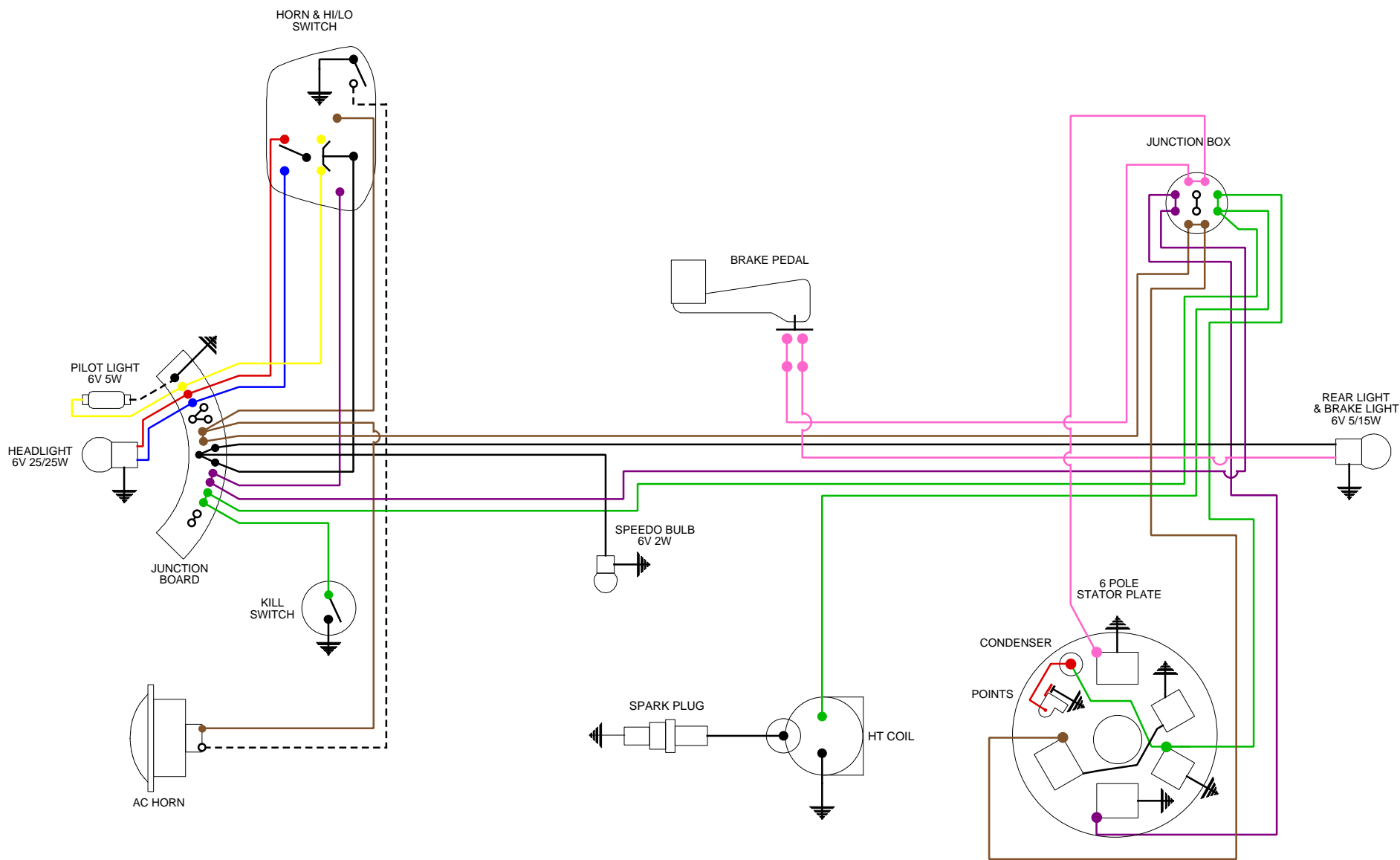
----- (WHITE)



scooterhelp.com

LAMBRETTA TV175 Series 3 - Li150S - SX150 - GP150
 TV200 (GT200) - SX200 - GP200

----- (WHITE)



scooterhelp.com

SPANISH LAMBRETTA Li125 & Li150 Series 3 & JET 200 with 6 pole stator plate without battery

----- (WHITE)